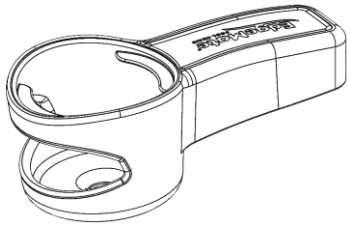
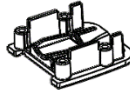


# EdgeMate® CUP HOLDER ASSEMBLY INSTRUCTIONS

## PARTS



CUP HOLDER WITH INSERT (x1)

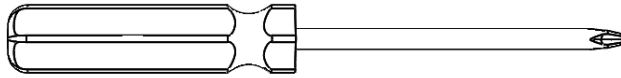


MOUNTING BRACKET (x1)



SCREW (x4)

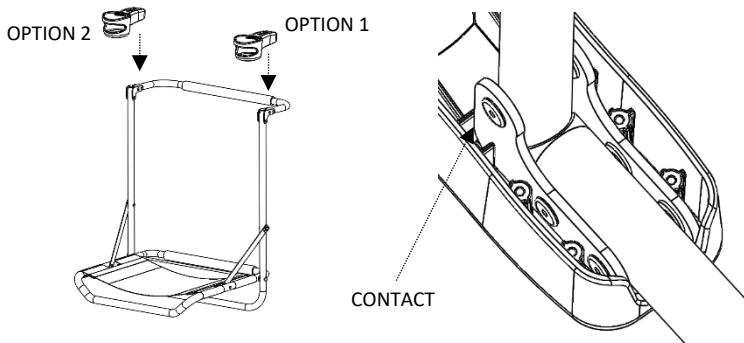
## TOOLS NEEDED:



PHILIPS SCREWDRIVER (NOT INCLUDED)

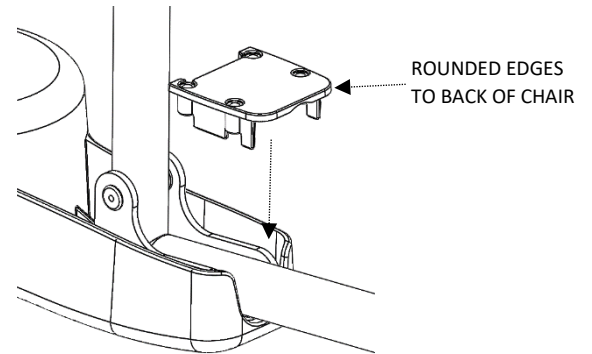
**DO NOT USE  
POWER TOOLS**

### STEP 1



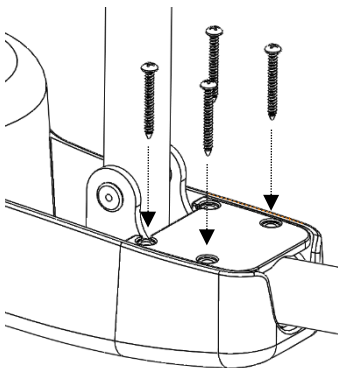
CHOOSE A SIDE OF EDGEMATE (CHAIR NOT INCLUDED) TO ATTACH CUP HOLDER. (NOTE: OPTION 1 FOR RIGHT-HANDED USERS.) INVERT CHAIR AND PLACE CUP HOLDER ON BAR. MAKE SURE CUP HOLDER IS FIRMLY PRESSED AGAINST THE CHAIR'S GUSSET PLATES.

### STEP 2

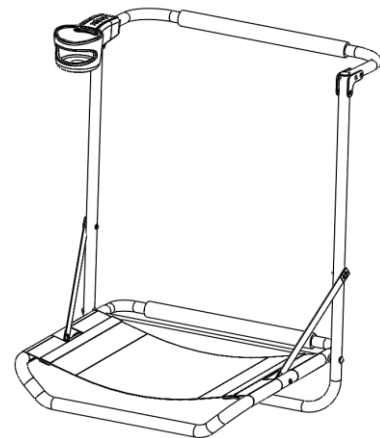


PLACE THE MOUNTING BRACKET ON THE UNDERSIDE OF THE CUP HOLDER.

### STEP 3



USING THE SCREWDRIVER, BEGIN TO SECURE EACH OF THE FOUR (4) SCREWS, BUT DO NOT TIGHTEN FULLY UNTIL THEY ARE ALL IN PLACE. DO NOT OVER TIGHTEN. CUP HOLDER SHOULD NOT MOVE IF ALL SCREWS ARE TIGHTENED CORRECTLY.



FOR A DIGITAL VERSION OF THESE INSTRUCTIONS VISIT:  
[EDGEMATEPOOLCHAIR.COM](http://EDGEMATEPOOLCHAIR.COM)

FOR ALL OTHER INQUIRIES, CONTACT THE MANUFACTURER AT:  
[INFO@EDGEMATEPOOLCHAIR.COM](mailto:INFO@EDGEMATEPOOLCHAIR.COM)